



Paulmann

IP20



Info

www.paulmann.com

Paulmann Licht GmbH  
Quezinger Feld 2  
31832 Springe  
Germany

www.paulmann.com

Art.-Nr.: 709.13  
PEO 04/19



1x



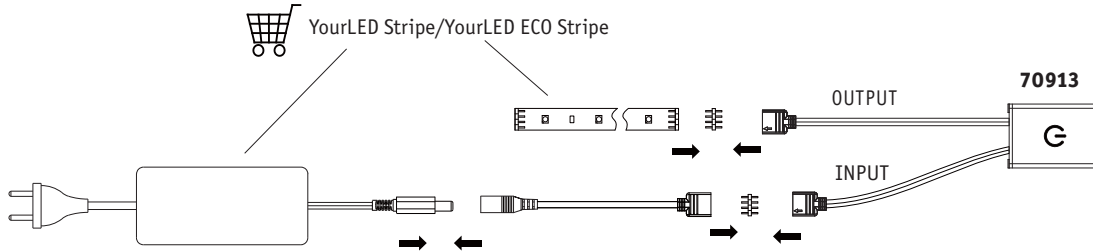
1x



2x



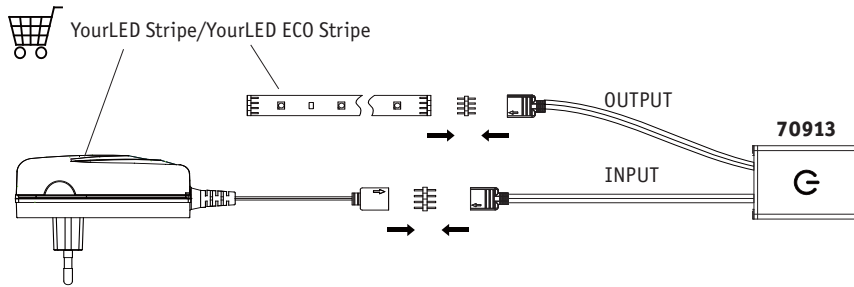
A



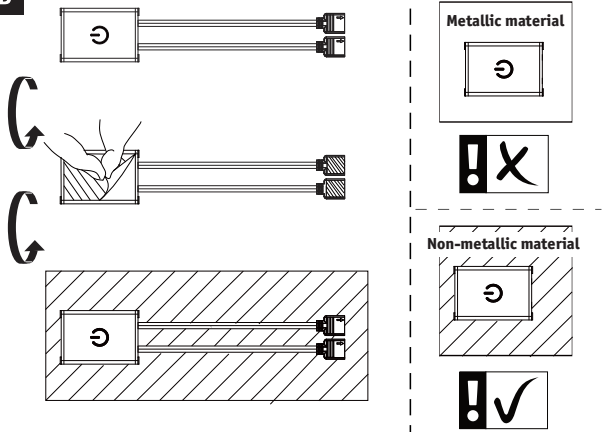
YourLED Stripe/YourLED ECO Stripe



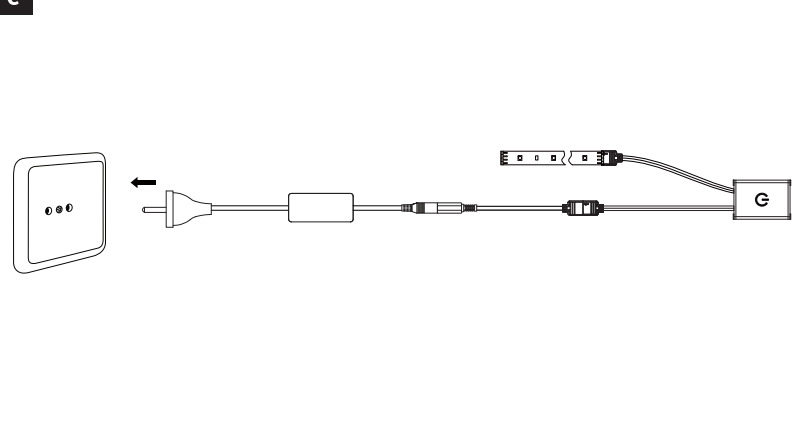
YourLED Stripe RGB



B



C



D

Touch < 0.5s → On/Off

Touch > 0.5s → → > 0.5s

or → > 0.5s

