



Paulmann

Safety Instructions

1, 2, 3, 4, 5, 6, 7, 8, 12, 15, 16,
18, 19, 20, 24, 28, 33, 34



31.08.2021

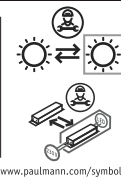


A++ - A

01.09.2021



F



www.paulmann.com/symbols

Paulmann Licht GmbH
Quezinger Feld 2
31832 Springe
Germany



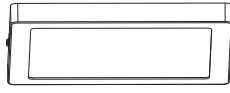
www.paulmann.com

Art.-Nr.: 709.35/36/
38/39/41

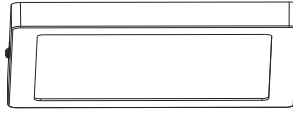


Art.-Nr.: 709.35/38

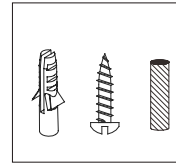
Art.-Nr.: 709.36/39/41



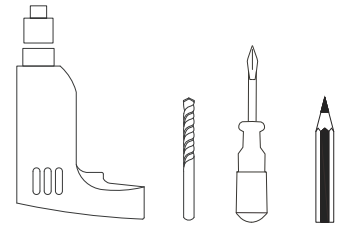
1x



1x



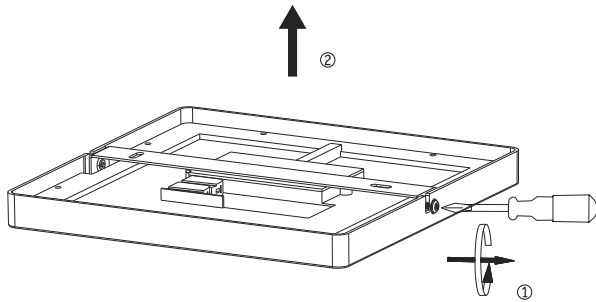
Incl.



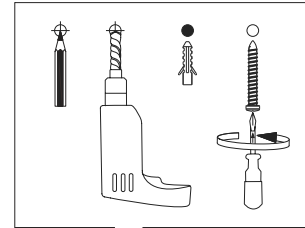
(+MA 0326)PKE 07/22



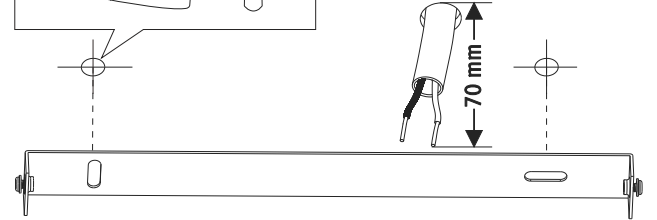
A



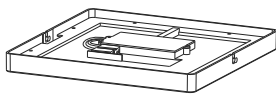
B



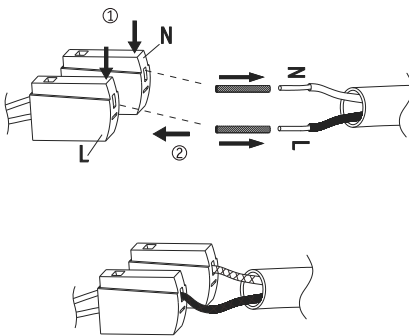
Safety
Instructions
Nr. 4, 5, 6, 7



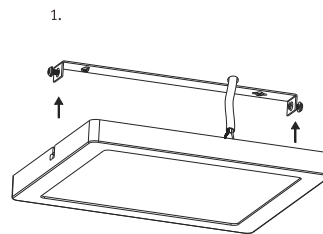
C



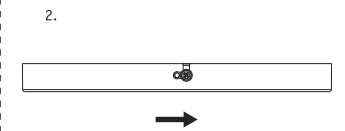
Safety
Instructions
Nr. 3, 4, 5, 6



D



Safety
Instructions
Nr. 4, 5, 6



E

