

IMPORTANT SAFETY NOTES

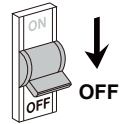


WARNING

RISK OF ELECTRIC SHOCK

BEFORE YOU BEGIN

- Read these instructions completely and carefully.
- The installation and connection of the luminaire must be done when switched off and by qualified people. Make sure no voltage while installation.



CAUTION

MAINTENANCE

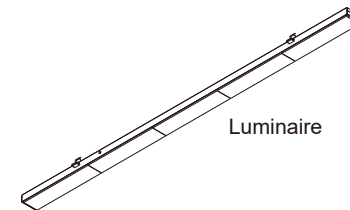
- To avoid injuries, disconnect power to the light and allow the unit to cool down before performing maintenance.
- Perform visual, mechanical and electrical inspections on a regular basis. We recommend routine checks to be made on an annual basis. Frequency of use and environment should determine this.
- The Covers should be cleaned periodically as needed to ensure continued photometric performance. Clean the Cover with a damp, non-abrasive, lintfree cloth. If not sufficient, use mild soap or a liquid cleaner. Do not use an abrasive, strong alkaline or acid cleaner as damage may occur.
- Inspect the topside on the luminaire to ensure that it is free of any obstructions or contamination (i.e.excessive dust build-up). Clean with a non-abrasive cloth if needed.

B

This product contains a light source of energy efficiency class B.

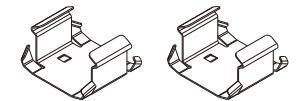
ta: -20°C ...+40°C

Products



Optional Accessories

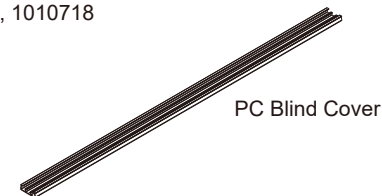
1011086, 1011087



Special extra spring

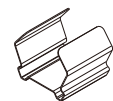
Optional

1010717, 1010718



Optional Accessories

1010719



Special extra spring

Optional Plug

3-Pin

5-Pin

1011656



1011657



1011658



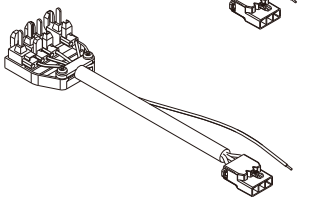
1011659



1011660



1011661



1011663



1011664









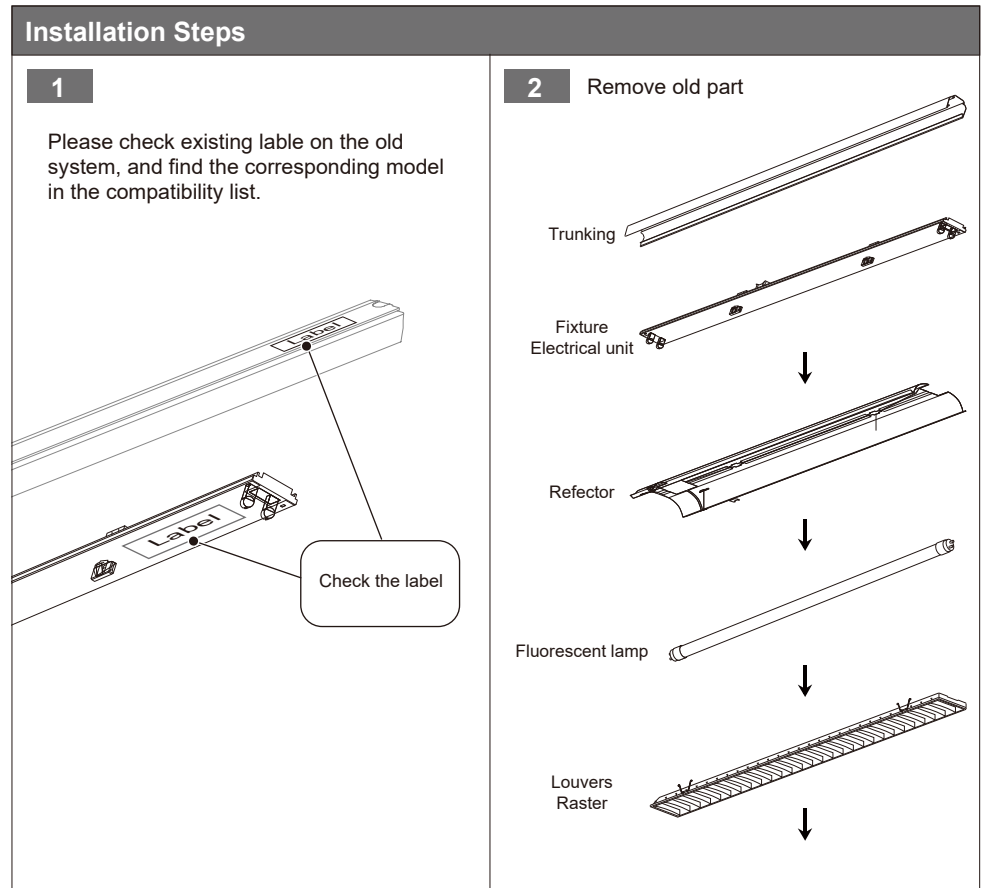
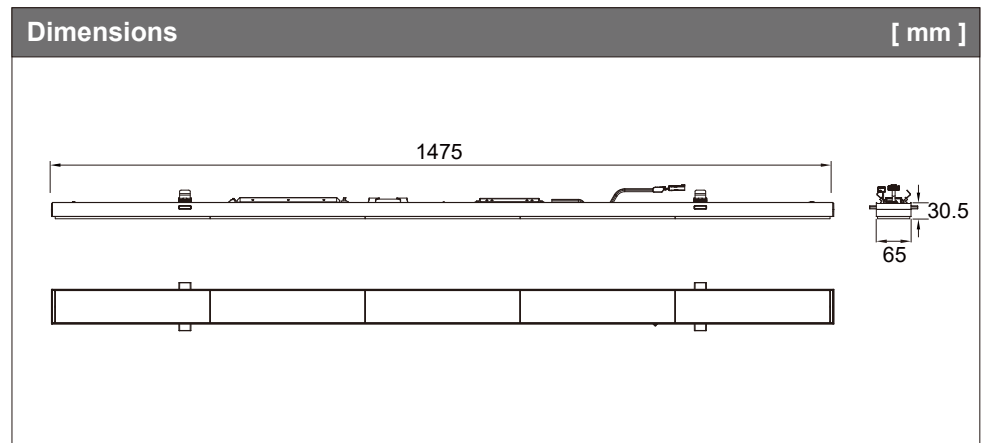
1011665



1011666

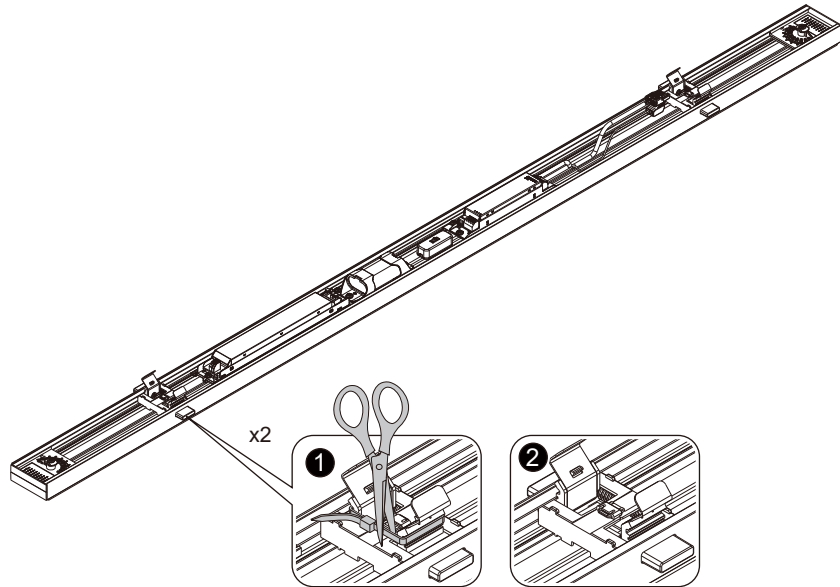


	<p>DA - Henvisning om bortskafning (EU) Produktet må ikke bortskaffes sammen med husholdningsaffaldet! Produkter med dette symbol skal i henhold til direktivet (WEEE) om affald af elektrisk og elektronisk udstyr bortskaffes via de lokale indsamlingssteder for gamle el-apparater! Gamle batterier og gamle akkumulatører, der ikke er fast indbygget i det gamle apparat, og pærer, som uden at blive beskadiget kan tages ud af det gamle apparat, skal før aflevering på en genbrugsstation fjernes fra det gamle apparat uden beskadigelser. Distributører er i henhold til de gældende lovskrævede bestemmelser forpligtet til at tage imod gamle apparater fra en slutbruger. Det gamle apparat kan også sendes til følgende adresse til bortskaffelse i Tyskland: SLV GmbH, Technischer Service, Werkstrasse 8-10, 52531 Übach-Palenberg, Tyskland</p>
	<p>PL - Wskazówka dotycząca utylizacji (Unia Europejska) Nie wolno wyrzucać produktu do śmieci domowych! Produkty oznakowane tym symbolem należy utylizować zgodnie z wytycznymi (WEEE) dotyczącymi starych urządzeń elektrycznych i elektronicznych w miejscowych punktach gromadzenia odpadów elektrycznych! Zużyte baterie i akumulatory, które nie są wbudowane w zużyte urządzenie, jak również lampy, które można wyjąć ze zużytego urządzenia w sposób nieniszczący, należy w sposób nieniszczący oddzielić od zużytego urządzenia przed przekazaniem go do punktu zbiórki. Zgodnie z obowiązującymi przepisami dystrybutorzy są zobowiązani do odbioru zużytych urządzeń od użytkownika końcowego. Zużyte urządzenie można również wysłać na poniższy adres w celu utylizacji na terenie Niemiec: SLV GmbH, Technischer Service, Werkstrasse 8-10, 52531 Übach-Palenberg, Niemcy</p>
	<p>RU - Указание по утилизации (Европейский Союз) Не утилизировать прибор вместе с бытовыми отходами! Продукты с подобным обозначением в соотв. с Положением (WEEE) по утилизации старых электрических и электронных приборов необходимо утилизировать через специальные пункты сбора старых электроприборов! Перед доставкой в пункт сбора необходимо отделить от старого устройства неразрушающим способом старые батареи и аккумуляторы, которые не заключены внутри старого устройства, а также лампы, которые можно извлечь из старого устройства неразрушающим способом. Согласно существующему законодательству дистрибьюторы обязаны принимать старые устройства от конечного пользователя. Старый прибор можно также отправить по следующему адресу для утилизации на территории Германии: SLV GmbH, Technischer Service, Werkstrasse 8-10, 52531 Übach-Palenberg, Германия</p>
	<p>SV - Anvisningar för sophantering (Europeiska Unionen) Produkten får ej kastas i hushållsoppor! Produkter som är märkta med denna symbolen ska kastas i enlighet med riktlinjerna (WEEE) för elektriska och elektroniska apparater på de lokala uppsamlingsställen för el- och elektroniskrot. Förbrukade batterier och akkumulatörer, som inte innesluts av aktuellt WEEE, t.ex. lampor, och som på ett icke-destruktivt sätt kan tas loss, ska innan WEEE lämnas till insamlingsstället separeras från den aktuellt WEEE. Distributörer är i enlighet med gällande lagstiftning skyldiga att ta hand om WEEE från slutanvändaren. Den gamla apparaten kan också skickas till följande adress för avfallshantering inom Tyskland: SLV GmbH, Technischer Service, Werkstrasse 8-10, 52531 Übach-Palenberg, Tyskland</p>
	<p>TR - Tasfiye açıklaması (Avrupa Birliği) Ürünü ev çöbüyle birlikte atmayın! Bu sembolü taşıyan ürünler, elektroteknik ve elektronik eski aletlerin yerel elektronik eski aletler toplama yerinde tasfiye edilmesi (WEEE) yönetmeliğine bağlıdır. Eski cihaz kapsamına girmeyen eski piller ve eski akümülatörler ve de eski cihazdan parçalanmadan çıkarılabilen lambalar, kayıt merkezine teslim edilmeden önce eski cihazdan parçalanmadan çıkarılmalıdır. Satıcılar ilgili yasal yükümlülüklerine göre eski cihazları son kullanıcılardan geri almakla yükümlüdür. Eski cihaz Almanya içinde imha edilmek üzere aşağıdaki adrese de gönderilebilir: SLV GmbH, Technischer Service, Werkstrasse 8-10, 52531 Übach-Palenberg, Almanya</p>
	<p>HU - Hulladékkezelés (Európai Unió) A terméket ne a hágyományos háztartási hulladékkal együtt dobja ki! A fenti jellel ellátott termékeket a WEEE, irányelv szerint az elektromos és elektronikus termékek számára kihelyezett hulladékgyűjtőbe tegye! Az olyan elemeket és akkumulátorokat, melyek nem zártan vannak a használt készülékbe helyezve valamint a használt készülékből roncsolás nélkül eltávolítható lámpákat a gyűjtőhelyen történő leadást megelőzően károsítás nélkül el kell távolítani. A forgalmazók a vonatkozó jogi előírásoknak megfelelően kötelesek visszavenni a végfelhasználótól a használt készülékeket. A régi készüléket a következő címre is elküldheti Németországon belüli ártalmatlanításra: SLV GmbH, Technischer Service, Werkstrasse 8-10, 52531 Übach-Palenberg, Németország</p>



Installation Steps

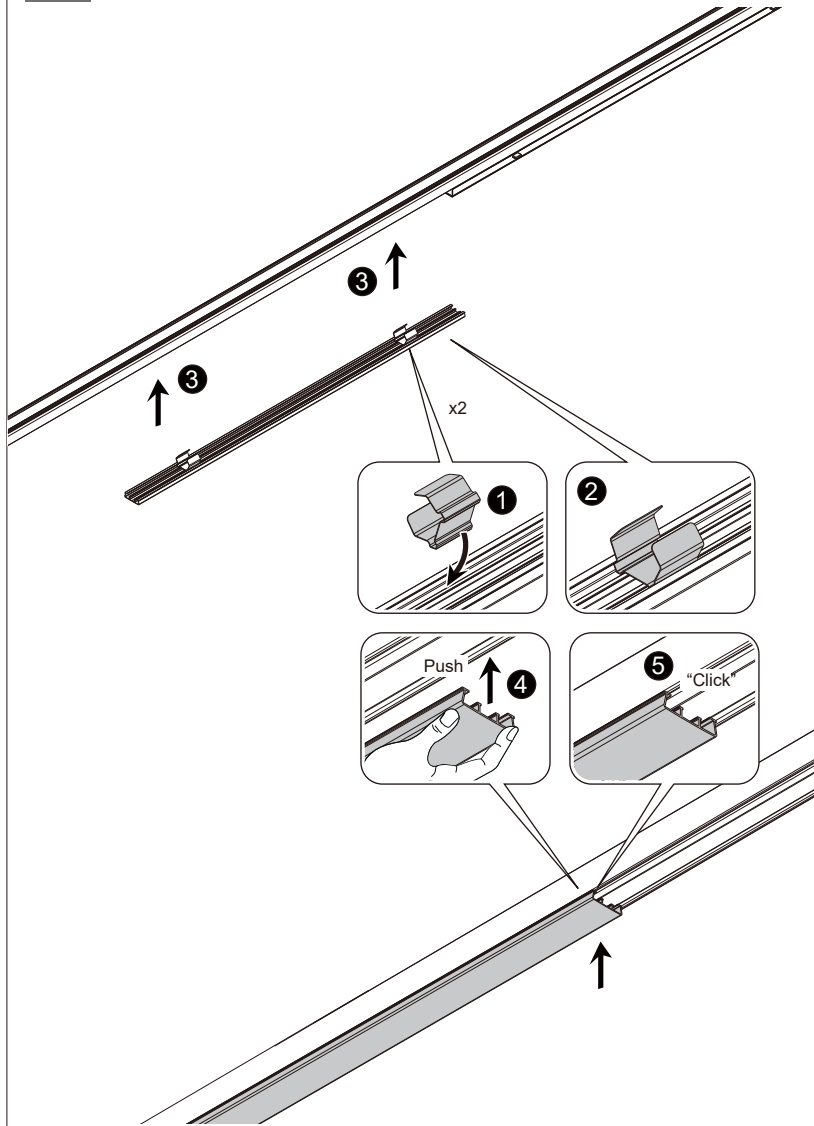
- 3** Before installation, please cut the tension straps to ensure that the pressingspring is in a released state



	<p>DE - Entsorgung (Europäische Union) Produkt nicht im Hausmüll entsorgen! Produkte mit diesem Symbol sind entsprechend der Richtlinie(WEEE) über Elektro- und Elektronik-Altgeräte über die örtlichen Sammelstellen für Elektro-Altgeräte zu entsorgen! Altbatterien und Altalkumulatoren, die nicht vom Altgerät umschlossen sind, sowie Lampen, die zerstörungsfrei aus dem Altgerät entnommen werden können, sind vor der Abgabe an einer Erfassungsstelle vom Altgerät zerstörungsfrei zu trennen. Vertrieber sind, nach den jeweiligen gesetzlichen Verpflichtungen, verpflichtet Altgeräte von einem Endnutzer zurückzunehmen. Zur Entsorgung kann das Altgerät innerhalb Deutschlands auch an folgende Adresse versendet werden: SLV GmbH, Technischer Service, Werkstrasse 8-10, 52531 Übach-Palenberg</p>
	<p>EN - Disposal (European Union) Do not dispose the product with the regular household waste! Products marked with this sign must be disposed according to the directive (WEEE) on electrical and electronic devices at local collection points for such devices! Waste batteries and accumulators, which are not enclosed by the waste equipment, and lamps, which are removable non-destructively from the waste equipment are to be separated non-destructively from the waste equipment before turning to a local collection point. Distributors are, according to particular legislation, obligated to take back waste equipment from the final holder. For disposal within Germany the waste equipment may be send to the following address: SLV GmbH, Technischer Service, Werkstrasse 8-10, 52531 Übach-Palenberg, Germany</p>
	<p>FR - Information de recyclage (Union européenne) Ne recyclez pas le produit avec les ordures ménagères ! Les produits qui présentent ce symbole sont à recycler suivant la directive (WEEE) relative aux déchets d'équipements électriques et électroniques, via des points de collecte pour appareils électriques usagés ! Les piles et accus usagés qui ne sont pas incorporés dans l'appareil usagé, ainsi que les lampes qui peuvent être retirées de l'appareil usagé sans être détruites, doivent être retirés de l'appareil usagé sans être détruits avant d'être remis au Recyparc. Conformément à leurs obligations légales respectives, les distributeurs sont tenus de reprendre les appareils usagés d'un utilisateur final.</p> <div style="display: flex; justify-content: space-around; align-items: center;"> <div style="text-align: center;"> <p>FR Cet appareil se recycle</p> <p>À DÉPOSER EN MAGASIN OU À DÉPOSER EN DÉCHÈTERIE</p> <p>Points de collecte sur www.quefairedemesdechets.fr Privilégiez la réparation ou le don de votre appareil !</p> </div> <div style="text-align: center;"> <p>FR Cette batterie se recycle</p> <p>À DÉPOSER EN MAGASIN OU À DÉPOSER EN DÉCHÈTERIE</p> <p>Points de collecte sur www.quefairedemesdechets.fr</p> </div> </div> <p>Pour l'élimination, l'appareil usagé peut également être envoyé en Allemagne à l'adresse suivante : SLV GmbH, Technischer Service, Werkstrasse 8-10, 52531 Übach-Palenberg, Allemagne</p>
	<p>ES - Indicaciones para la eliminación (Unión Europea) ¡No tirar el producto con la basura doméstica! Los productos con este símbolo deben eliminarse, de acuerdo con la directiva (WEEE) sobre residuos de aparatos eléctricos y electrónicos, llevándolos a los puntos de recogida selectiva de aparatos eléctricos y electrónicos locales. Las baterías y los acumuladores recargables que no se hallen protegidos por el aparato viejo, así como las lámparas, extraídas sin romperlas del aparato viejo, deben desmontarse sin llegar a alterarlos antes de entregarlos a un punto de recogida. Los distribuidores están obligados a recoger los aparatos viejos de un usuario final según las obligaciones legales pertinentes. El aparato antiguo también puede enviarse a la siguiente dirección para su eliminación dentro de Alemania: SLV GmbH, Technischer Service, Werkstrasse 8-10, 52531 Übach-Palenberg, Alemania</p>
	<p>IT - Istruzioni per lo smaltimento (Unione Europea) Non smaltire il prodotto con i rifiuti domestici! I prodotti con questo simbolo devono essere smaltiti, nel rispetto della Direttiva (WEEE) sui rifiuti di apparecchiature elettriche ed elettroniche, nei punti di raccolta locale ad essi adibiti! Verificare sul sito www.slvitalia.it il corretto metodo di smaltimento del presente materiale. Le batterie e gli accumulatori usati non racchiusi nell'apparecchio usato e le lampade rimovibili dall'apparecchio usato senza venire distrutte, devono essere divise dall'apparecchio usato senza venire distrutte, prima di essere consegnate in un punto di raccolta. I rivenditori sono tenuti, secondo i rispettivi obblighi legali, a ritirare gli apparecchi usati dal consumatore finale. Il vecchio apparecchio può anche essere inviato al seguente indirizzo per lo smaltimento in Germania: SLV GmbH, Technischer Service, Werkstrasse 8-10, 52531 Übach-Palenberg, Germania</p>
	<p>NL - Afvalverwijdering (Europese Unie) Het product niet via het huishoudelijk afval weggoeien! Producten met dit symbool dienen in overeenstemming met richtlijn (WEEE) via elektrische en elektronische apparatuur bij de plaatselijke inzamelpunten voor elektrisch afval te worden verwijderd! Afgedankte accu's en accumulators die niet in het afgedankte apparaat zijn ingebouwd, zoals lampen die zonder beschadigingen uit het apparaat kunnen worden verwijderd, dienen voorafgaand aan de afgifte aan de betreffende instantie voor afgedankt apparaat, niet-destructief verwijderd te worden. De verkopers zijn op basis van de betreffende wettelijke regelgeving, verplicht afgedankte apparaten van een eindgebruiker terug te nemen. Het oude apparaat kan ook naar het volgende adres worden gestuurd voor verwijdering binnen Duitsland: SLV GmbH, Technischer Service, Werkstrasse 8-10, 52531 Übach-Palenberg, Duitsland</p>

Installation PC Blind cover

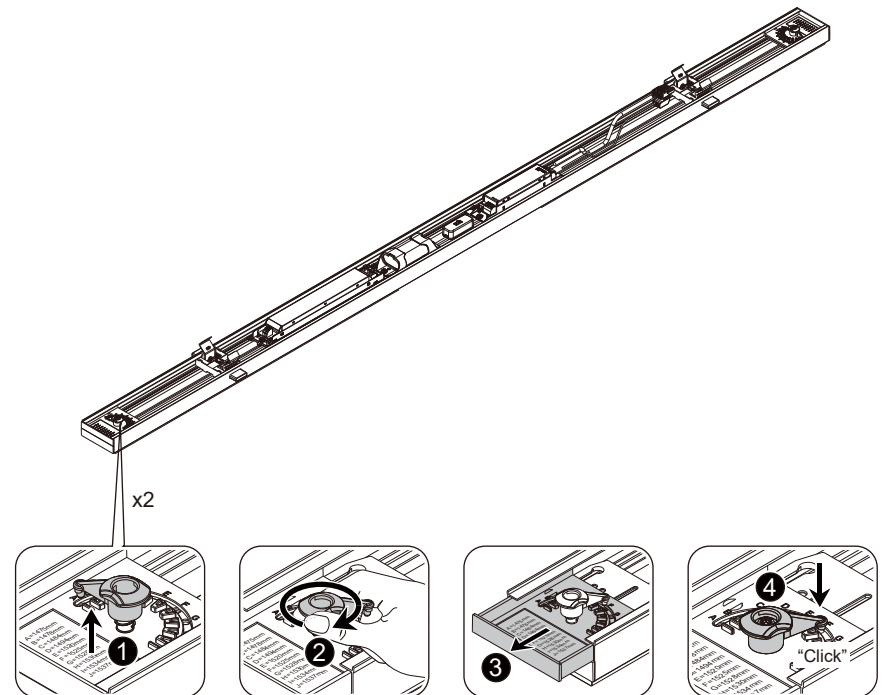
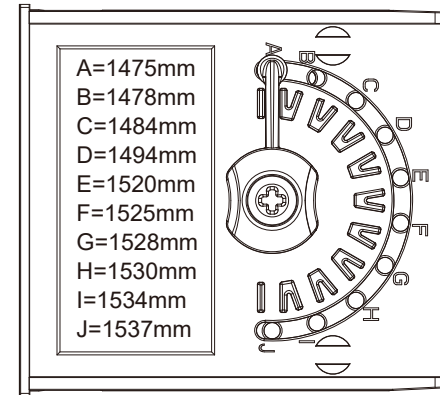
2 Mounting Blind Cover



Installation Steps

4 Adjust to desired length (See table 1)

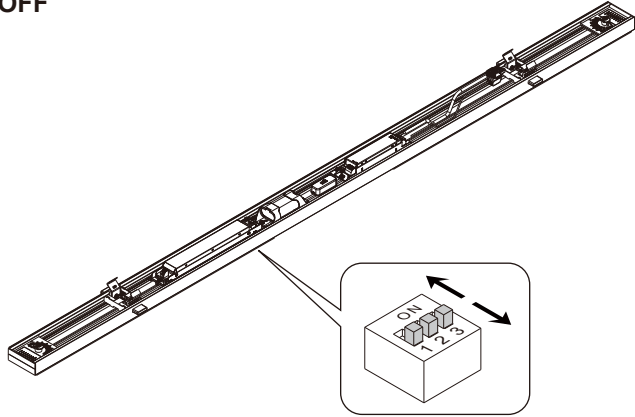
1475 to 1537mm



Installation Steps

5-a Wattage setting

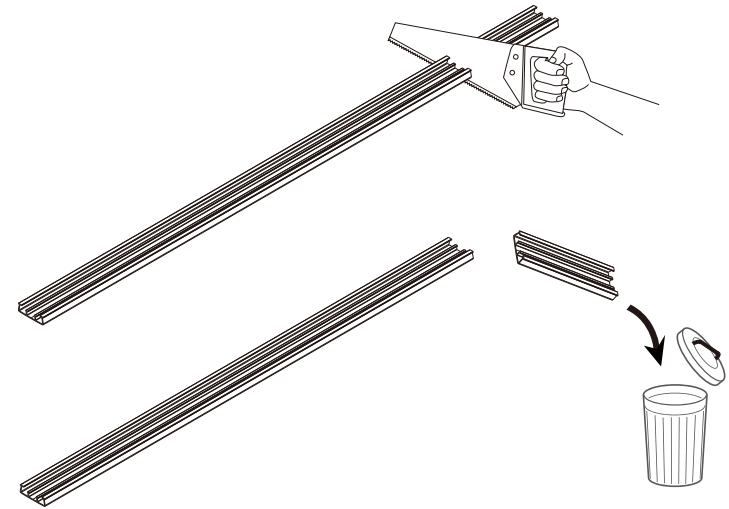
ON/OFF



	Output current [mA]	Switch position			Rated Power [W]	1011319, 1011320, 1011321, 1011653					
		1	2	3		CRI>80					
						3500K		4000K		5000K	
					Light effect [lm/W]	Flux [lm]	Light effect [lm/W]	Flux [lm]	Light effect [lm/W]	Flux [lm]	
1.5m On Off	550	ON	ON	ON	75	177.3	13300	192.0	14400	182.7	13700
	500	OFF	ON	ON	68	179.4	12200	194.1	13200	185.3	12600
	450	ON	OFF	ON	61	182.0	11100	195.1	11900	186.9	11400
	400	OFF	OFF	ON	54	185.2	10000	196.3	10600	188.9	10200
	350	ON	ON	OFF	46	187.0	8600	195.7	9000	191.3	8800
	300	OFF	ON	OFF	40	187.5	7500	197.5	7900	192.5	7700
	250	ON	OFF	OFF	33	187.9	6200	197.0	6500	193.9	6400
	200	OFF	OFF	OFF	26	188.5	4900	192.3	5000	192.3	5000
Emergency Mode	7	-	-	-	2.5	180.0	450	180.0	450	184.0	460

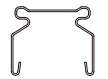




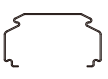

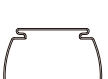
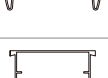
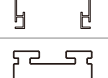
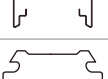



Installation PC Blind cover

1 Cut to desired length (Option)



Compatible list

Table 1 (1475 to 1537mm)

Finished size with adjusting the End caps	Trunking Brand	Trunk	Connectors-3pin	Connectors-5pin
H=1530mm	TRX TRZ		1011656	/
J=1537mm	090554/098287		1011656	/
A=1475mm	ZX1 T5		1011658	/
F=1525mm	ZX1 T8		1011658	/
A=1475mm	ZX2 T5		1011659	1011665
F=1525mm	ZX2 T8		1011659	1011665
C=1484mm	PRESTIGE T5		1011659	1011665
I=1534mm	PRESTIGE T8		1011659	1011665
A=1475mm	E-line 07650xx		1011660	1011666
H=1530mm	E-line 07690xx		1011660	1011666
H=1530mm	SDT/ST		1011660	1011666
H=1530mm	TR50W		1011660	1011666
H=1530mm	SV70 SV75		1011660	1011666
H=1530mm	Planos		1011660	1011666
G =1528mm	PNR 2003-nu		1011660	1011666
G =1528mm	PNR 1995-2003		1011661	/
D=1494mm	E-STN T5		1011661	/
J=1537mm	E-STN T8		1011661	/
B=1478mm	TTX400 T5		/	/
G=1528mm	TTX400 T8		/	/
B=1478mm	MAXOS T5		/	/
G=1528mm	MAXOS T8		/	/

Installation Steps

5-b Wattage setting

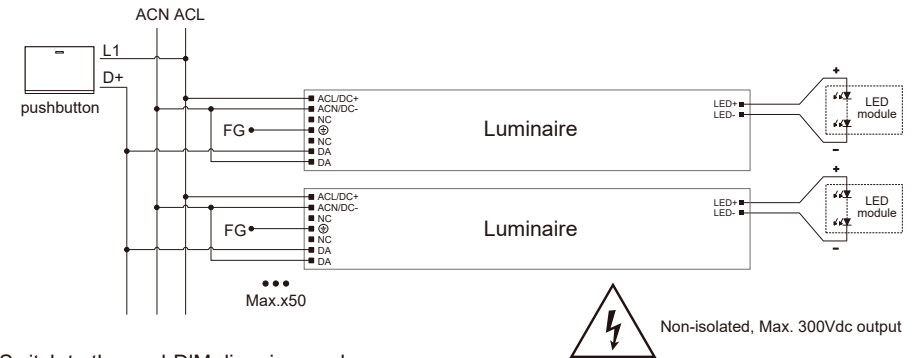
DALI



1.5m DALI	Output current [mA]	Switch position				Rated Power [W]	1011322, 1011323, 1011324, 1011654					
		1	2	3			CRI>80					
							3500K		4000K		5000K	
		Light effect [lm/W]	Flux [lm]	Light effect [lm/W]	Flux [lm]	Light effect [lm/W]	Flux [lm]	Light effect [lm/W]	Flux [lm]	Light effect [lm/W]	Flux [lm]	
DALI Mode	550	OFF	OFF	OFF	OFF	75	168.0	12600	188.0	14100	177.3	13300
	525	ON	OFF	OFF	OFF	71	169.0	12000	188.7	13400	178.9	12700
	500	OFF	ON	OFF	OFF	68	170.6	11600	188.2	12800	179.4	12200
	475	ON	ON	OFF	OFF	64	171.9	11000	189.1	12100	181.3	11600
	450	OFF	OFF	ON	OFF	61	173.8	10600	190.2	11600	182.0	11100
	425	ON	OFF	ON	OFF	57	173.7	9900	191.2	10900	182.5	10400
	400	OFF	ON	ON	OFF	54	174.1	9400	190.7	10300	183.3	9900
	375	ON	ON	ON	OFF	50	174.0	8700	192.0	9600	184.0	9200
	350	OFF	OFF	OFF	ON	47	176.6	8300	193.6	9100	185.1	8700
	325	ON	OFF	OFF	ON	44	177.3	7800	193.2	8500	186.4	8200
	300	OFF	ON	OFF	ON	40	177.5	7100	192.5	7700	187.5	7500
	275	ON	ON	OFF	ON	37	178.4	6600	194.6	7200	189.2	7000
	250	OFF	OFF	ON	ON	33	178.8	5900	193.9	6400	187.9	6200
	200	ON	OFF	ON	ON	27	181.5	4900	192.6	5200	188.9	5100
	Emergency Mode	7	-	-	-	-	2.5	180.0	450	180.0	450	184.0

pushDIM dimming application

Wiring diagram



Switch to the pushDIM dimming mode

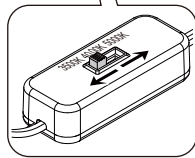
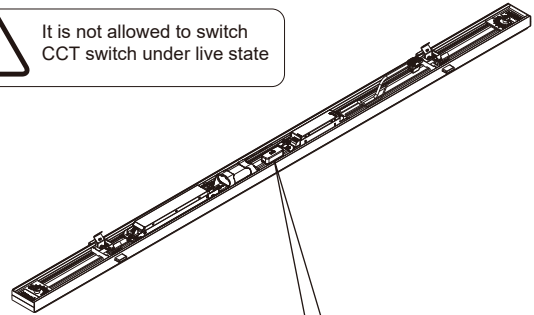
- According to the wiring diagram of the pushDIM dimming application, short press the pushbutton 5 times quickly within 3s, the driver will automatically switch to the pushDIM dimming mode.
- After switch to the pushDIM control mode, CorridorDIM mode will be automatically closed.

Installation Steps

6 CCT setting



It is not allowed to switch CCT switch under live state

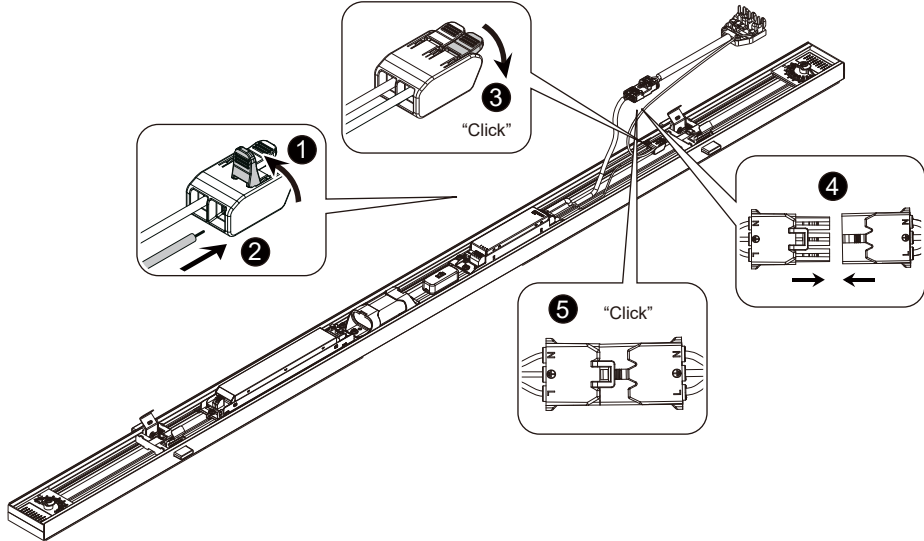


CCT Setting (B)
External DIP switch

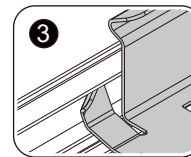
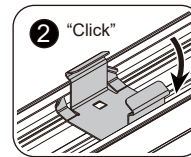
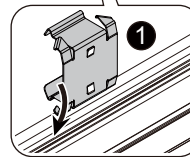
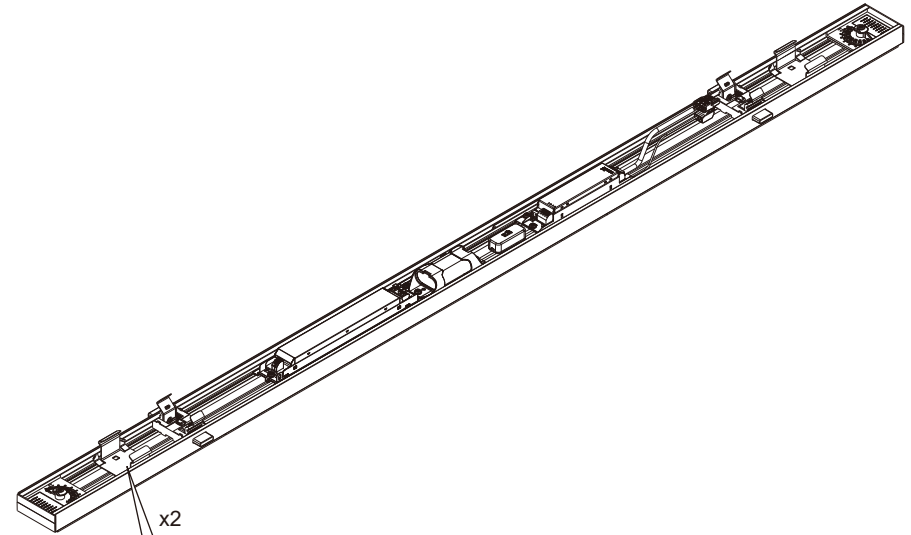
3500K 4000K 5000K



7 Connecting Plug



Install extra spring



Extra spring compatible list

Picture	ITEM NO.	Name	Trunk
	1011087	Q-STN T8	
		Q-STN T5	
		VLG T5	
		VLG T8	
	1011086	DUS	
		5LJ908..	

Installation Steps

Rest Mode

• Emergency operation is automatically started when the mains supply is switched off. Rest mode can be activated during emergency mode by doubling press the manual test button. The discharging of the battery will be minimized by switching off the LED output. The rest mode will be exited automatically after reconnect the supply.

LED Indicator

System status is locally indicated by a bi-coloured LED indicator.

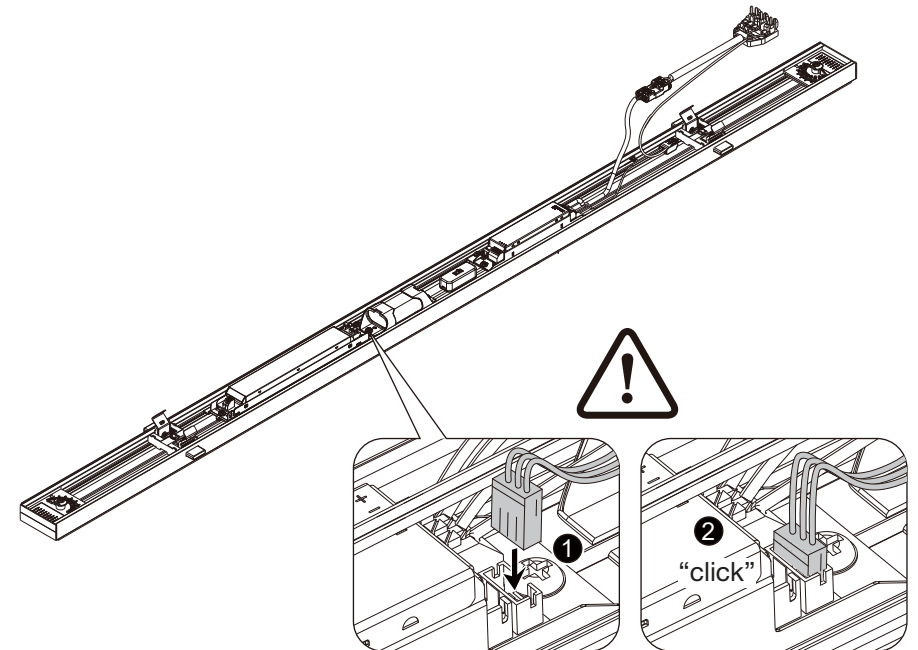
	Color		LED indication	Status
	Green		Permanently On	System Healthy
	Green		Permanently OFF	Emergency Mode: Mains failure or mains disconnected
	Green		Slow Flash (0.5s on-0.5s off)	Duration Test Pending
	Green		Medium Flash (0.25s on-0.25s off)	Duration Test Running
	Green		Fast Flash (0.125s on-0.125s off)	Functional Test Running
	Red		Permanently On	Battery Charging Fault
	Red		Medium Flash (0.25s on-0.25s off)	Battery Duration Fault
	Red		Fast Flash (0.125s on-0.125s off)	Lamp or Luminaire Fault
	Red		OFF 1s then Stay On 5s	26 Weeks Duration Test Interval
	Red		OFF 1s then Fast Flash 5s (0.125s on-0.125s off)	52 Weeks Duration Test Interval

Functionality of the test button (manually mode)

Button appearance	Operation	Function
	 1-2s Press 1-2s	Manual functional test
	 5-10s Press 5-10s	Manual duration test
	 <1s Press <1s	Confirm the current duration test interval
	 <1s Double press <1s	Set the duration test interval
	 <1s Double press <1s during emergency mode	Rest mode activated

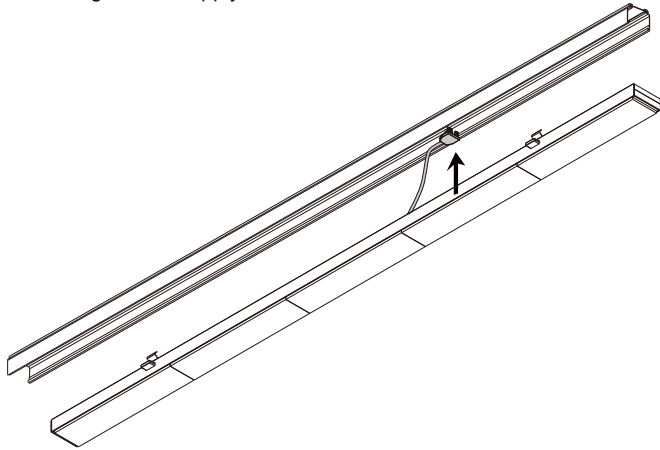
Installation Steps

- 8 Connect the emergency battery pack to the emergency drive power supply, and then connect the input and output power supplies.

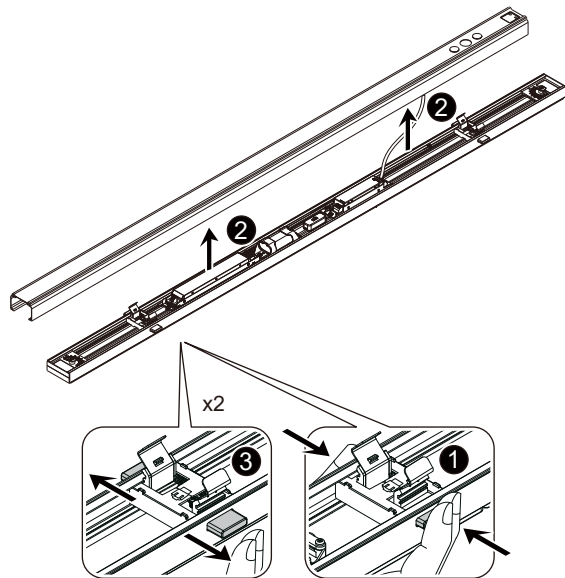


Installation Steps

9 Connecting Power Supply



10 Mounting the LED module



Installation Steps

Automatic / Manual Testing

1. Commissioning

- Commissioning takes place by connecting the battery and then the un-switched supply. The battery must be connected first.
- The green LED will immediately flash 1 x second to indicate that there is a pending duration test.
- A functional test will occur at 5 minutes after commissioning to allow 5 minutes for battery charging to ensure there is some charge in the battery.
- A duration test will occur at a random point between 24 hours and 48 hours after commissioning to allow 24 hours for battery charging.
- Any faults found in the functional and duration testing will be reported via the LED indicator, as detailed below.
- Disconnecting the un-switched supply and then the battery resets the emergency module, clears all fault reports and forces a re-commission when the battery and then the un-switched supply are reconnected.
- **If the un-switched supply of an emergency lighting circuit is switched OFF/ON twice within 5 seconds, the schedule for all the emergency units in the emergency lighting circuit is reset (to the current time).**

2. Duration Testing (3 hours)

- An automatic duration test will occur at a random point between 24 hours and 48 hours after commissioning to allow for battery charging.
- An automatic duration test will occur semi-annually or annually at a random point in the 26nd or 52nd week of each year.
- A duration test will occur once the battery is fully charged after pressing the manual test button for 5-10 seconds.
- A duration test may be delayed by other events, such as a power cut that interrupts the test or a lack of charging time, in which case the green LED will flash 1 x second to indicate there is a pending duration test that the emergency module has rescheduled.
- Any faults found in the duration testing will be reported via the LED indicator, as detailed below.
- A functional test will not override any faults reported by a duration test. A full duration test or re-commissioning is required to clear any faults.

3. Functional Testing (<2 minutes)

- A 5 seconds automatic functional test will occur at 5 minutes after commissioning.
- A 108 seconds automatic functional test will occur every 7 days.
- A manual 108 seconds functional test will start immediately after pressing the manual test button for 1-2 seconds.
- Any faults found in the functional testing will be reported via the LED indicator, as detailed below.
- A functional test will not override any faults reported by a duration test. A full duration test or re-commissioning is required to clear any faults.

4. Manual Testing

- Manual functional test: Press the manual test button for 1-2 seconds. A manual functional test lasting <2 minutes will start immediately.
- Manual duration test: Press the manual test button for 5-10 seconds. A manual duration test will occur once the battery is fully charged after pressing the manual test button for 5-10 seconds.

5. Pending Duration Testing

- A duration test may be delayed by other events, such as a power cut that interrupts the test or charging period, in which case the green LED will flash to indicate there is a pending duration test that the emergency module has rescheduled until charging is complete.

6. Lamp or Luminaire Fault

- Turn off the supply and replace or correct the fault with the lamp or luminaire, and then reconnect the supply.
- Press the manual test button for 5-10 seconds. A manual duration test will occur once the battery is fully charged.
- If the battery and power have been disconnected the EM will re-commission and automatically test the replacement.
- A successful functional test will not override any faults reported by a duration test. A full duration test or re-commissioning is required to clear fault reports.

7. Battery Fault

- Turn off the un-switched supply to the EM and replace the battery, and then reconnect the supply.
- If the fault was because the battery was not connected, the un-switched supply must still be turned off when connecting the battery to clear the battery fault.
- The EM will re-commission and so automatically test the replacement at a random point between 24 and 48 hours after commissioning to allow for battery charging.