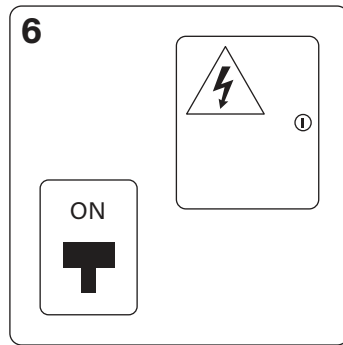
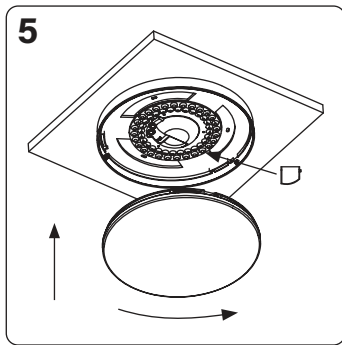
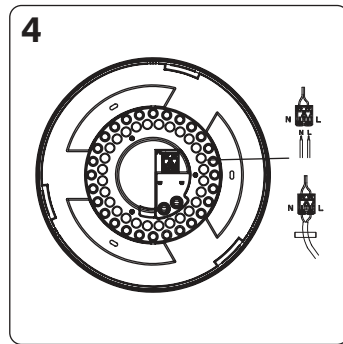
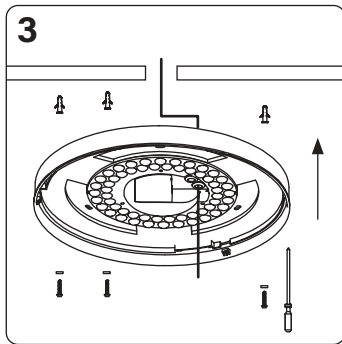
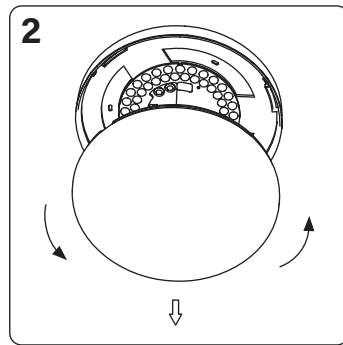
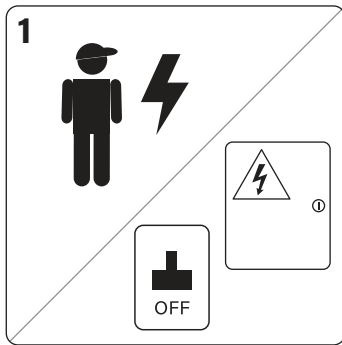
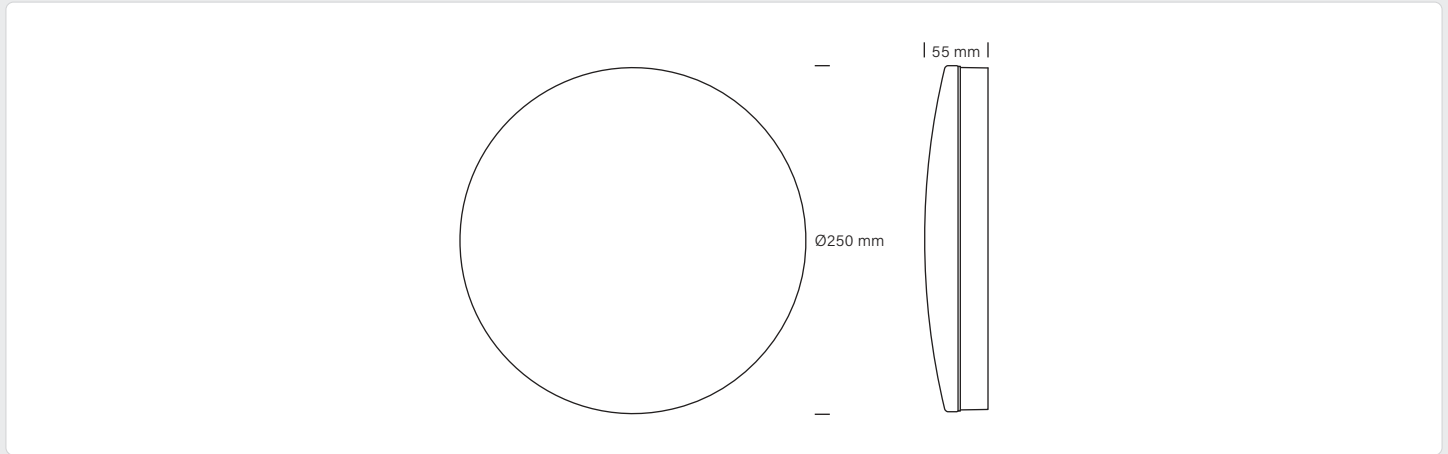


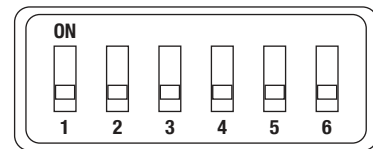
This product contains a light source in energy efficiency class **D**

Find the updated manual on our website – nordtronic.com
With reservation for typing errors

Nordtronic A/S | Flade Engvej 4 | DK-9900 Frederikshavn | Denmark | CVR: 29808708
Tel: +45 7020 9531 | nordtronic.com



Adjust the sensor combinations by using the DIP Switches as indicated below

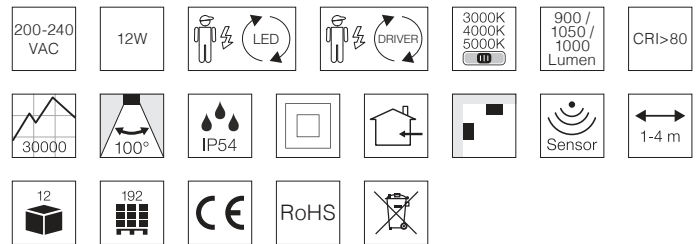


Detection range	1		2	
	3-4 m	ON	ON	ON
2-3 m	OFF	ON	ON	ON
1-2 m	ON	OFF	ON	OFF
Always on	OFF	OFF	ON	OFF

Timer setting	3		4	
	Brightness 100% / 20%*	ON	ON	ON
30 s / 30 s	ON	ON	ON	ON
3 min / 3 min	OFF	ON	ON	ON
5 min / 5 min	ON	OFF	ON	OFF
10 min / 10 min	OFF	OFF	ON	OFF

Lux setting	5		6	
	<10 lux	ON	ON	ON
<30 lux	OFF	ON	ON	ON
<50 lux	ON	OFF	ON	OFF
Always off	OFF	OFF	ON	OFF

*If there is no detection, dimming will be activated.



Find the updated manual on our website - nordtronic.com
With reservation for typing errors